

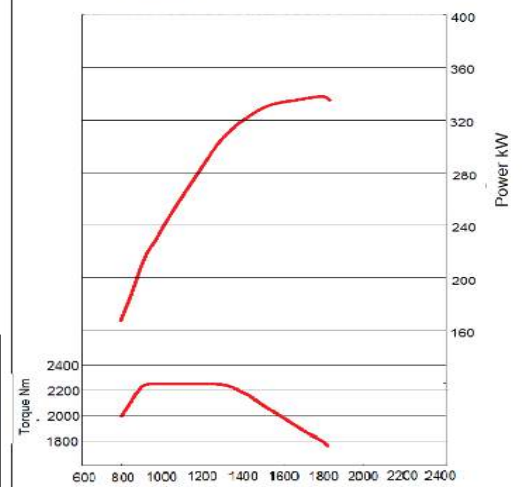
Model	CYJ460 MT	CYJ460 AMT
GCM (kg)	55,000	55,000
GVM (kg)	29,000	29,000
Max Power (kW)	338	338
Max Torque (Nm)	2255	2255
Wheelbase (mm)	5980	5980
Cab	Low	Low
Suspension	Air	Air



ENGINE

Engine Model:	6WG1 - TCC
Type:	6 cyl 24 valve, SOHC
Displacement:	15,681cc
Compression Ratio:	16.0:1
Max Power (DIN Nett):	338 kW (460 HP) @ 1800 RPM
Max Torque (DIN Nett):	2254 Nm (1663 lb.ft) @1,300
Emission Control System:	Euro V with SCR
Fuel System:	Electronically controlled Denso Direct Injection, high pressure common rail, 400 litre rectangular alloy fuel tank with lockable fuel cap, 75 litres Ad Blue
Intake/Exhaust:	Turbo charged, intercooled, vertical intake, horizontal outlet

Engine Performance Curve 6WG1 TCC



TRANSMISSION

Manual Ratios (:1)	Eaton Road Ranger RTLO18918-B 18 speed 1 st 14.40, 2 nd 12.29, 3 rd 8.56, 4 th 7.30, 5 th 6.05, 6 th 5.15 7 th 4.38, 8 th 3.74, 9 th 3.20, 10 th 2.73, 11 th 2.29, 12 th 1.92 13 th 1.62, 14 th 1.38. 15 th 1.17, 16 th 1.00, 17 th 0.86, 18 th 0.73 Reverse: L/L 15.05 L/H 12.86, H/L 4.03 H/H 3.43
PTO:	Opening at bottom, 8 bolt SAE, 474Nm torque capacity
Clutch:	Spicer EP1552 ceramic 6-button twin plate 393mm diameter
AMT Ratios (:1)	Isuzu MJX16 1 st 14.01, 2 nd 11.34, 3 rd 9.93, 4 th 8.03, 5 th 6.84, 6 th 5.53 7 th 4.58, 8 th 3.71, 9 th 3.05, 10 th 2.47, 11 th 2.16, 12 th 1.75 13 th 1.49, 14 th 1.20. 15 th 1.00, 16 th 0.81, Rev 1: 12.58 Rev 2: 10.18
PTO:	Opening at left side of transmission
Clutch:	Air assisted 15.5" twin plate with clutch pedal shunting operations, not required for normal driving

PERFORMANCE

- **1st Gear Gradeability**
@GVM: M 44%/49% AMT
Est Engine RPM @90km/h :
 M 1440/1600 AMT

AXLES

Front Axles:	Isuzu FO66 x 2
Type:	Elliot reverse I-beam
Capacity:	13200 kgs
Rear Axle:	Isuzu RT210
Type:	Single speed tandem drive with inter-axle diff lock Integral oil pump
Capacity:	21000kgs
Final Drive:	Hypoid type, 419mm (16.5") diameter ring gear
Ratio:	4.10:1

CHASSIS

Front Suspension

- Alloy steel tapered parabolic leaf springs
- Double acting shock absorbers with stabiliser bar on F1

Rear Suspension

- Isuzu 4-bag air suspension, stabilizer bars on both
- Hydraulic shock absorbers on both axles
- Remote hand control to adjust suspension height
- Auto return to factory-set ride height after 20km/hr
- Super Kick Drive facility for heavy duty starts

Electrical

- 24 volt negative earth system
- 50 amp alternator
- Batteries - 2 x N120, 840 CCA @ 18°C

Brakes

- Dual circuit full air, ABS.
- Drums 410mm diameter
- Front linings 160mm wide, Type 24 chambers
- Rear linings 220mm wide Type 24/30 chambers
- Twin cylinder air compressor 650cc
- Trailer brake hand control with limited travel

Auxiliary retardation

- Isuzu X-Tard air controlled exhaust brake
- Provides up to 350HP (PS) retardation
- Isuzu Giga-Tard permanent magnet drive shaft retarder provides up to 65kg/m silent retardation

Chassis Frame

- Rolled steel channel, cold riveted ladder frame
- Rail dimensions 285 x 85 x 7 mm
- HT540 weldable steel
- Frame width 850mm, 950mm at engine/trans
- Inner frame reinforcement at suspension mounts

Wheels and Tyres

- 8.25" x 22.5" 165mm offset Alcoa alloy wheels
- 10 stud, 22mm hole size, 335mm PCD
- Tyres 275/70R22.5 148/145 front and rear

Steering

- Power assisted recirculating ball with integral power assistance
- Gear Ratio 20.2:1

CAB AND INTERIOR

CAB EXTERIOR

- All steel construction, standard roof, high tensile steel on cab under-frame with side impact beam reinforcement
- Cab strength equivalent to ECE-R29 standard
- Power cab tilt to 48° with manual hydraulic back-up
- 4 point electronically controlled air bag cab suspension
- Enclosed non-slip cab entry steps with RH step light
- Door mounted 22" heated power main and convex mirrors
- LH side kerb and front under-view mirrors
- External-access equipment locker on left side of cab
- Steel front bumper integral head lamps, fog lamps and indicator
- Halogen multi-reflector headlamps,
- Roof-mounted outline marker lamps
- Reverse alarm buzzer standard

CAB INTERIOR

- Driver's seat - ISRI 6860 air suspended, pneumatic lumbar support, height, rake, auto weight adjustment seat for occupant mass up to 150kg
- SRS including air bag on driver's seat
- Door and pillar entry assist grips both sides

CAB INTERIOR (continued)

- Two overhead storage lockers with CB compatible slot
- Height/reach adjustable steering column, soft-feel urethane steering wheel,
- Electric windows
- Central locking with keyless entry and engine immobiliser
- Air conditioning with redirect to sleeper
- Two 12V 100W accessory power outlets and 24V cigarette lighter
- Door mounted storage pockets, LH and RH glove boxes
- Centre console with storage locker, fold-over storage tray and two storage ports/cup holders
- Carbon fibre style dash facia
- MultiMedia radio/CD/DVD/MP3/WMA Player with 6.2" Touch Screen, Bluetooth, voice dialling, text to speech, SD and USB inputs, on-board recordable memory, optional external cameras with up to 4-way screen, GPS navigation and many other options

Instruments and Controls

- Speedometer with digital odometer and trip meters
- Engine coolant temperature, fuel and AdBlue gauges, dual brake air pressure gauges
- Two-speed wipers with variable intermittent wipe function
- Differential lock switch with "Engaged" light
- Idle speed adjustment switch
- Giga-Tard progressive engagement switch
- LH combination stalk: windscreen wipers/wash control, hazard lamps, X-Tard exhaust brake, Giga-Tard on/off
- RH combination stalk: Indicators, lights & fog lamp switch, headlamp dip switch, cruise control set/resume/cancel
- Multi Display provides : Clock, calendar, fuel consumption data including total economy and fuel consumption, trip distance, trip economy and fuel consumption (when moving), Idle consumption (when stationary), battery voltage.
- Multi info display warnings include: Engine overheat, low coolant level, low oil pressure, low fuel level.

WEIGHTS (kgs)

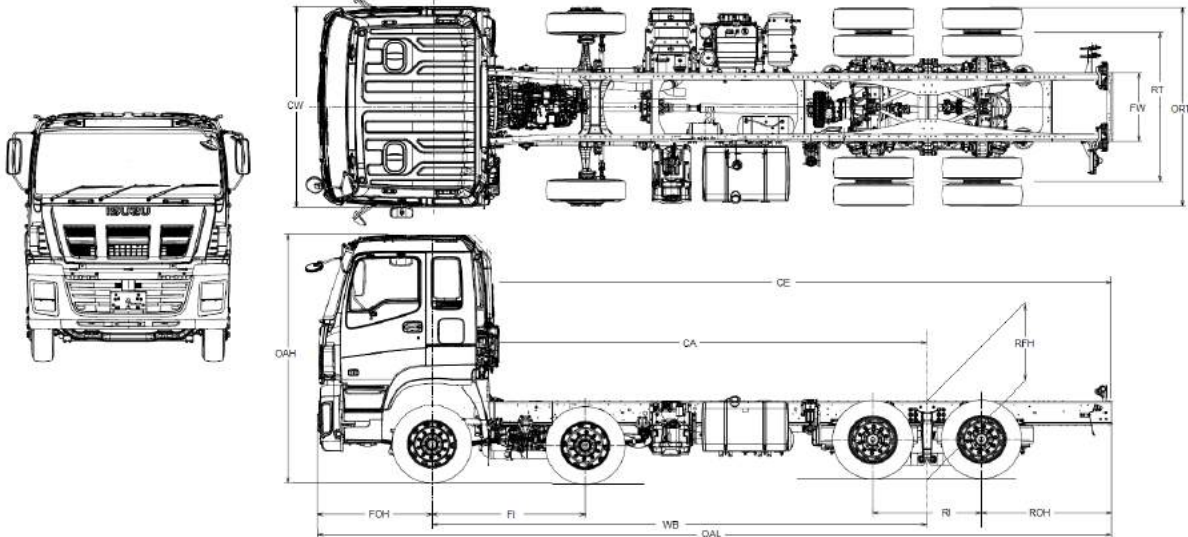
Model Code	MODELS	RATINGS *		LOADING LIMITS (at ground)*		CHASSIS CAB TARE MASS **		
		GVM	GCM	FRONT ***	REAR	FRONT	REAR	TOTAL
CY0415	CYJ460 MT	29 000	55000	11000	15000	5710	3015	8725
CJ0215	CYJ460 AMT	29 000	55000	11000	15000	5770	3010	8780

* Vehicle ratings and front and rear mass limits are subject to regulatory requirements – Consult your dealer to select a specific vehicle to suit your requirements
 ** Chassis cab as supplied from the factory including 10 litres of fuel

DIMENSIONS (mm)

Models	WB	OAL	OAH *	FOH	ROH	CA	CE	FI	RI	RT	ORT	FW	RFH *	AF	CW	Kerb-Kerb (m)
CYJ	5980	9610	3080	1400	2230	5216	7446	1850	1310	1850	2475	850	952	1028	2490	21.4

* Unladen condition



WARRANTY

Full vehicle warranty: 36 months or 250,000 kilometres whichever occurs first

All warranty is subject to terms and conditions as detailed in the Owner's Manual Service and Warranty Supplement

A policy of continuous improvement means that these specifications are subject to change without notice. Contact your Isuzu dealer or visit our website at Isuzu.co.nz to confirm specifications. Images of vehicles are representative only and may differ slightly from the actual vehicle