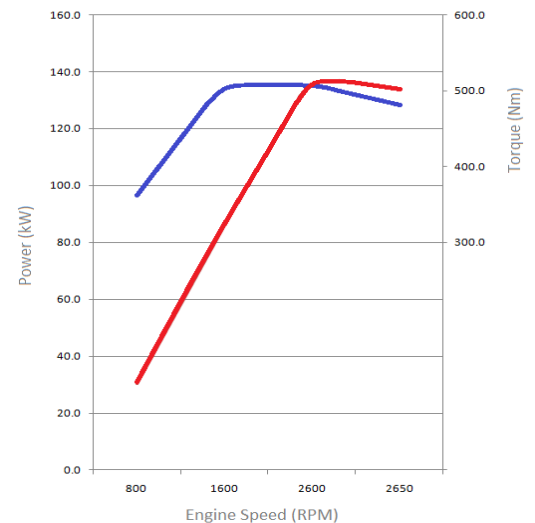


| Model | FSS550P |
|-----------------|---------|
| GCM (kg) | 16,000 |
| GVM (kg) | 11,000 |
| Max Power (kW) | 154 |
| Max Torque (Nm) | 637 |
| Wheelbase (mm) | 3700 |
| Suspension | Steel |



ENGINE

| | |
|---------------------------------|---|
| Engine Model: | 4HK1-TCS |
| Type: | 4 cyl 16 valve, SOHC |
| Displacement: | 5,193cc |
| Compression Ratio: | 17.5:1 |
| Max Power (DIN Nett): | 154 kW (210 HP) @2,600 RPM |
| Max Torque (DIN Nett): | 637 Nm (470 lb.ft) @1,600 |
| Emission Control System: | Euro V with Exhaust Gas Retention and Diesel Particulate Diffuser |
| Fuel System: | Electronically controlled direct injection, high pressure common rail 200 litre fuel tank with lockable fuel cap |
| Air Intake System: | Electronically controlled variable nozzle turbo charger with air-to-air intercooler, vertical air intake behind cab |



PERFORMANCE

- Maximum Towed Mass (braked): 9,000kgs - 1st Gear Gradeability @GVM: 57%
- Maximum Towed Mass (unbraked): 2,000kgs - Est Engine RPM @90km/h : 2390

TRANSMISSION

| | |
|-----------------------|---|
| Manual: | MZW-6P 6 spd manual, synchromesh on 1 st to 6 th with air assisted shift |
| Clutch: | Air assisted hydraulic control, 352mm single plate clutch |
| PTO: | Option 1: Aperture on left side of transmission case – mainshaft driven Option 2: Engine driven PTO centred above transmission |
| Ratios (:1) | 1 st 6.615, 2 nd 4.095, 3 rd 2.358, 4 th 1.531, 5 th 1.000, 6 th 0.722, Rev 6.615 |
| Transfer Case: | Isuzu TF036 Part time 4WD |
| Ratio: | High range: 1.00:1, Low range: 2.091:1 |

AXLES

| | |
|---------------------|---|
| Front Axle: | Isuzu FDO39 |
| Type : | Full floating banjo type, Birfield constant velocity joints and permanently engaged free wheel hubs |
| Capacity: | 3,900kgs |
| Rear Axle | Isuzu RO77 |
| Type: | Full floating banjo drive axle |
| Final Drive: | 368mm diameter ring gear |
| Ratio: | 6.50:1 |
| Capacity: | 7.700 kes |

CHASSIS

Suspension

- (front)
- Single stage alloy steel taper leaf spring
- (back)
- Multi leaf main with helper

Steering

- Power assisted recirculating ball
- Gear Ratio 18.8:1
- Turns lock-to-lock 2.8

Chassis Frame

- Cold riveted ladder frame
- Rail dimensions (mm) 229 x71 x 8
- SAP440 weldable steel
- Parallel side rails

Brakes

- Dual circuit air over hydraulic auto-adjusting front and rear drum brakes
- ABS anti-locking braking system, switchable for off-road use
- Front drums 400mm x 115mm
- Rear drums 410mm x 115mm
- Spring park brake on rear wheels
- Air controlled exhaust brake

Wheels and Tyres

- 9R22.5 133/131K tubeless tyres
- 22.5 x 6.75 x 145mm 8-stud steel wheel rims
- Silver painted wheel rims
- Frame mounted spar wheel with tyre

Electrical

- 24 volt negative earth system
- Alternator: 90 amp
- Batteries - 2 x 115E41L 80Ah, 665CCA @ 18°C

CAB AND INTERIOR

CAB EXTERIOR

- All steel construction, high tensile steel on cab under-frame and side impact beam reinforcement
- Cab is fully compliant with ECE-R29 crash tests
- Manual cab tilt to 45° with torsion bar assistance
- Liquid filled cab mounts
- 90° opening internally reinforced doors
- Door mounted 19" heated power mirrors, flat glass on main and convex on spot mirrors
- Air dam steel front bumper with integral fog lamps
- Halogen multi-reflector headlamps with integral turn signals
- Additional door-mounted turn signal indicators with cornering lamps
- Roof-mounted outline marker lamps
- Combined brake/turn/reverse/marker lamps

CAB INTERIOR

- Driver's seat - ISRI 6870 air suspended seat for occupant mass up to 150kg, pneumatic lumbar support, height, rake, auto weight adjustment
- Front passenger adjustable bucket seat and front centre seat with folding backrest, console in backrest

CAB INTERIOR (continued)

- SRS including air bag on both outer seats
- Door and pillar entry assist grips both sides
- Lined interior, padded roof lining and vinyl floor covers
- Manual control integrated air conditioning
- Height/reach adjustable steering column, soft-feel Urethane steering wheel
- Central locking with keyless entry and engine immobiliser
- Door mounted storage pockets, LH and RH glove boxes, RH and LH overhead storage shelf
- Centre console with storage tray
- Fluorescent interior lamp
- Multi Media radio/CD/DVD/MP3/WMA Player with 6.2" Touch Screen, Bluetooth, voice dialling, text to speech, SD and USB inputs, on-board recordable memory – optional external cameras with up to 4-way screen, GPS navigation and many other options
- 5 DIN sized compartments for extra communications and storage

Instruments and Controls

- Speedometer with digital odometer and two trip meters
- Tachometer, engine coolant temperature, fuel and dual brake air pressure gauges
- Two-speed wipers with intermittent wipe function
- Key operated engine start, stop with steering lock
- DPD manual regenerate switch
- High/Low range and centre diff lock switches
- Inter-axle lock switch
- **LH combination stalk:** windscreen wipers/washers exhaust brake
- **RH combination stalk:** Indicators, light switch, headlamp dip switch
- **Warning lamps:** Check engine, oil pressure, SRS, alternator charge, service brake, park brake on, seat belt unfastened, low air pressure, low fuel level, water-in- fuel, cab lock
- **Indicator lamps:** Warm up system, high beam, DPD status, low range engaged, 4WD engaged,

WEIGHTS (kgs)

| Model Code | MODEL | RATINGS * | | LOADING LIMITS (at ground)* | | CHASSIS CAB TARE MASS ** | | |
|------------|---------|-----------|---------|-----------------------------|------|--------------------------|------|-------|
| | | GVM | GCM *** | FRONT | REAR | FRONT | REAR | TOTAL |
| FS0916 | FSS550P | 11,000 | 16,000 | 3900 | 7700 | 2650 | 1480 | 4130 |

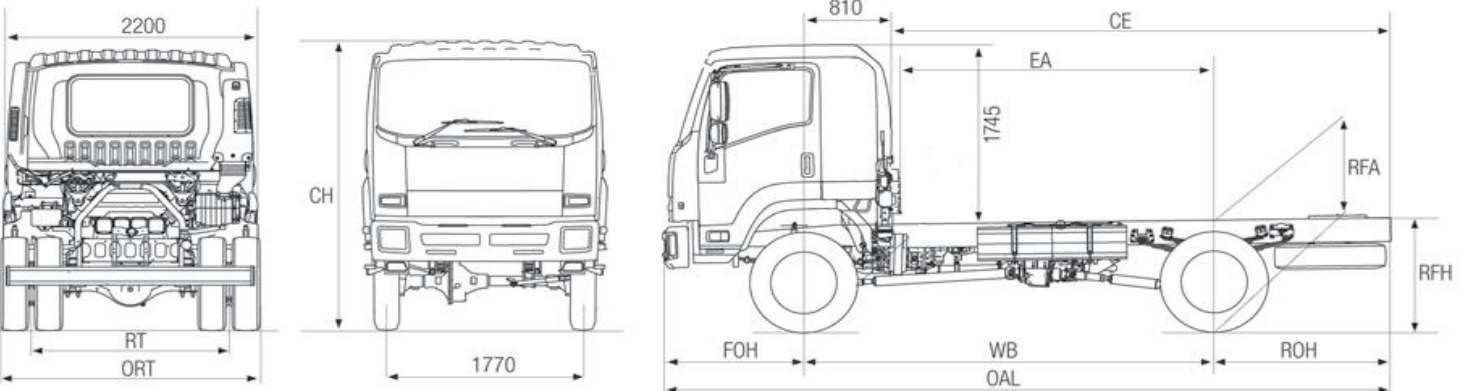
* Vehicle ratings and front and rear mass limits are subject to regulatory requirements – Consult your dealer to select a specific vehicle to suit your requirements

** Chassis cab as supplied from the factory including 10 litres of fuel

DIMENSIONS (mm)

| Model | WB | OAL | OAH * | FOH | ROH | EA | CE | RT | ORT | FW | RFA * | BOC | Kerb to Kerb (m) |
|---------|------|------|-------|------|------|------|------|------|------|-----|-------|-----|------------------|
| FSS550P | 3700 | 6555 | 2770 | 1255 | 1600 | 2800 | 4490 | 1702 | 2220 | 840 | 1110 | 90 | 14.8 |

* Unladen condition, chassis cab only



WARRANTY

Full vehicle warranty: 36 months or 150,000 kilometres whichever occurs first

All warranty is subject to terms and conditions as detailed in the Owner's Manual Service and Warranty Supplement

A policy of continuous improvement means that these specifications are subject to change without notice. Contact your Isuzu dealer or visit our website at Isuzu.co.nz to confirm specifications. Images of vehicles are representative only and may differ slightly from the actual vehicle